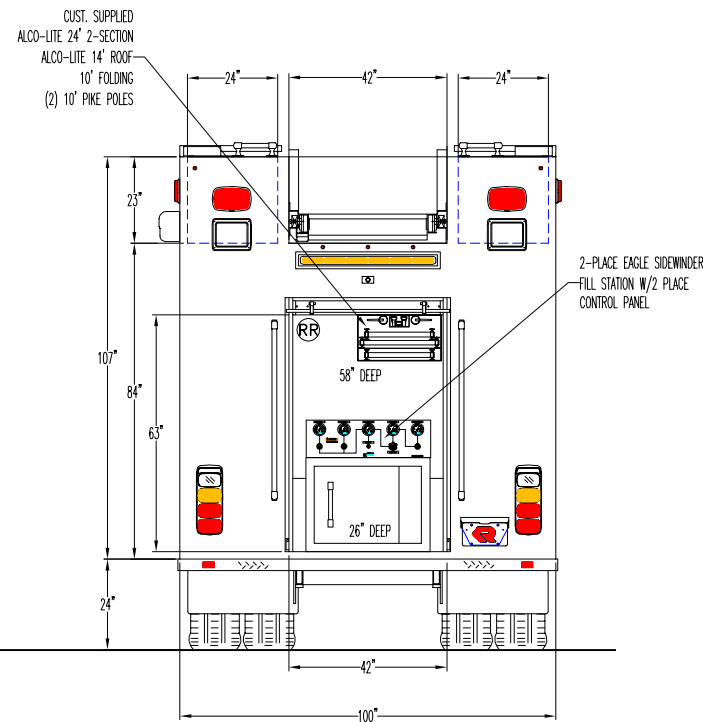
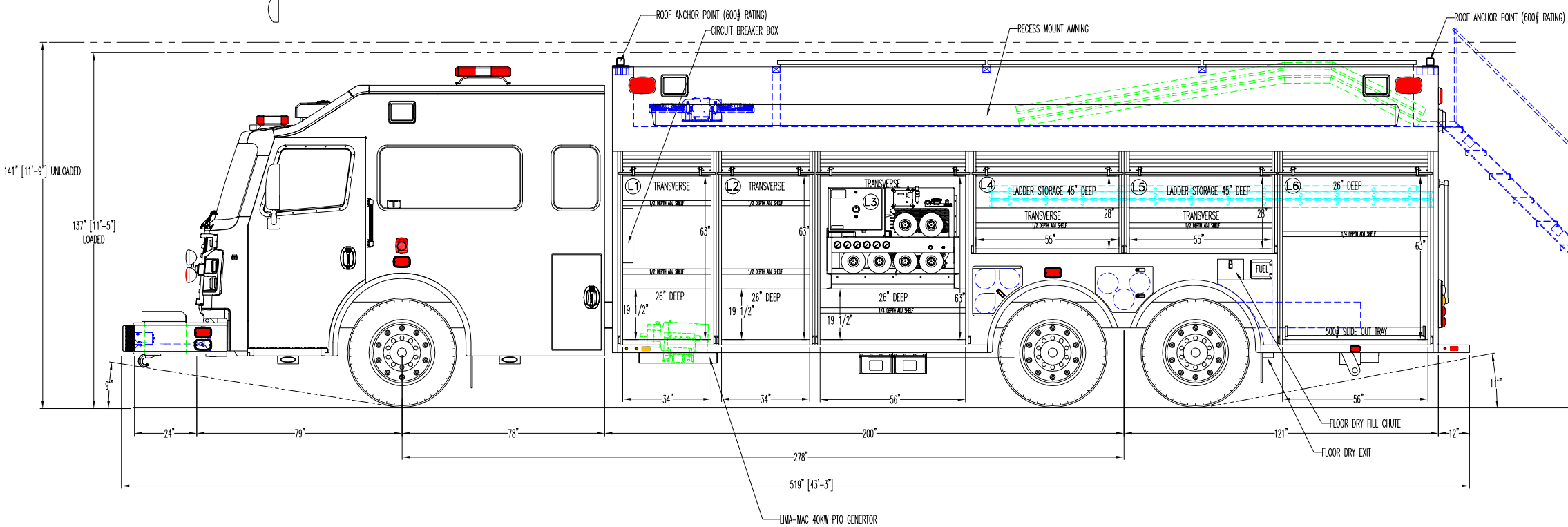


LEFT COMPARTMENT DIMENSIONS				
LOCATION	WIDTH	HEIGHT	DEPTH	VOLUME IN CUBIC FEET
L1U	34	43.5	48	41.1
L1L	34	19.5	26	10.0
L2U	34	43.50	48	41.1
L2L	34	19.5	26	10.0
L3U	34	43.5	48	41.1
L3L	34	19.5	26	10.0
L4	55	28	48	42.8
L5	55	28	48	42.8
L6U	56	43.50	48	67.7
L6L	56	19.5	26	16.4
				322.8299



-PROPOSED-
ATHENS, GA.



ROSENBAUER EXT

JOB NUMBER - DRAWING NUMBER D00260 REV 01

- NOTES:
- OVERALL HEIGHT IS IN LOADED CONDITION. UNLOADED HEIGHTS MAY BE 4" ABOVE HEIGHTS SHOWN.
 - DO NOT SCALE DRAWING.
 - ALL DIMENSIONS ARE APPROXIMATE AND SUBJECT TO ENGINEERING CHANGES.
 - DRAWING MAY OR MAY NOT SHOW ALL ITEMS AS DESCRIBED IN THE WRITTEN DETAIL SPECIFICATIONS.
 - INCLUSION OF AN ITEM ON THE DRAWING DOES NOT CONSTITUTE INCLUSION OF THAT ITEM WITH THE FINAL DELIVERED UNIT.

REVISID: - DATE: -
 REVISID: - DATE: -
 REVISID: TAA DATE: 11-08-2023 (P8575-01)
 DRAWN: JMV DATE: 08-31-2022 (P8195-03)

PROPRIETARY AND CONFIDENTIAL
 THE INFORMATION CONTAINED IN THIS DRAWING IS
 THE SOLE PROPERTY OF ROSENBAUER. ANY
 REPRODUCTION IN PART OR AS A WHOLE WITHOUT
 THE WRITTEN PERMISSION OF ROSENBAUER IS
 PROHIBITED.

APPROVED BY:		CHASSIS: COMMANDER R7818 3-DR
MAXIMUM HEIGHT	N/A	PUMP: N/A
MAXIMUM LENGTH	N/A	TANK: N/A
BODY WIDTH	100"	TYPE: WALK AROUND RESCUE
		AERIAL: N/A